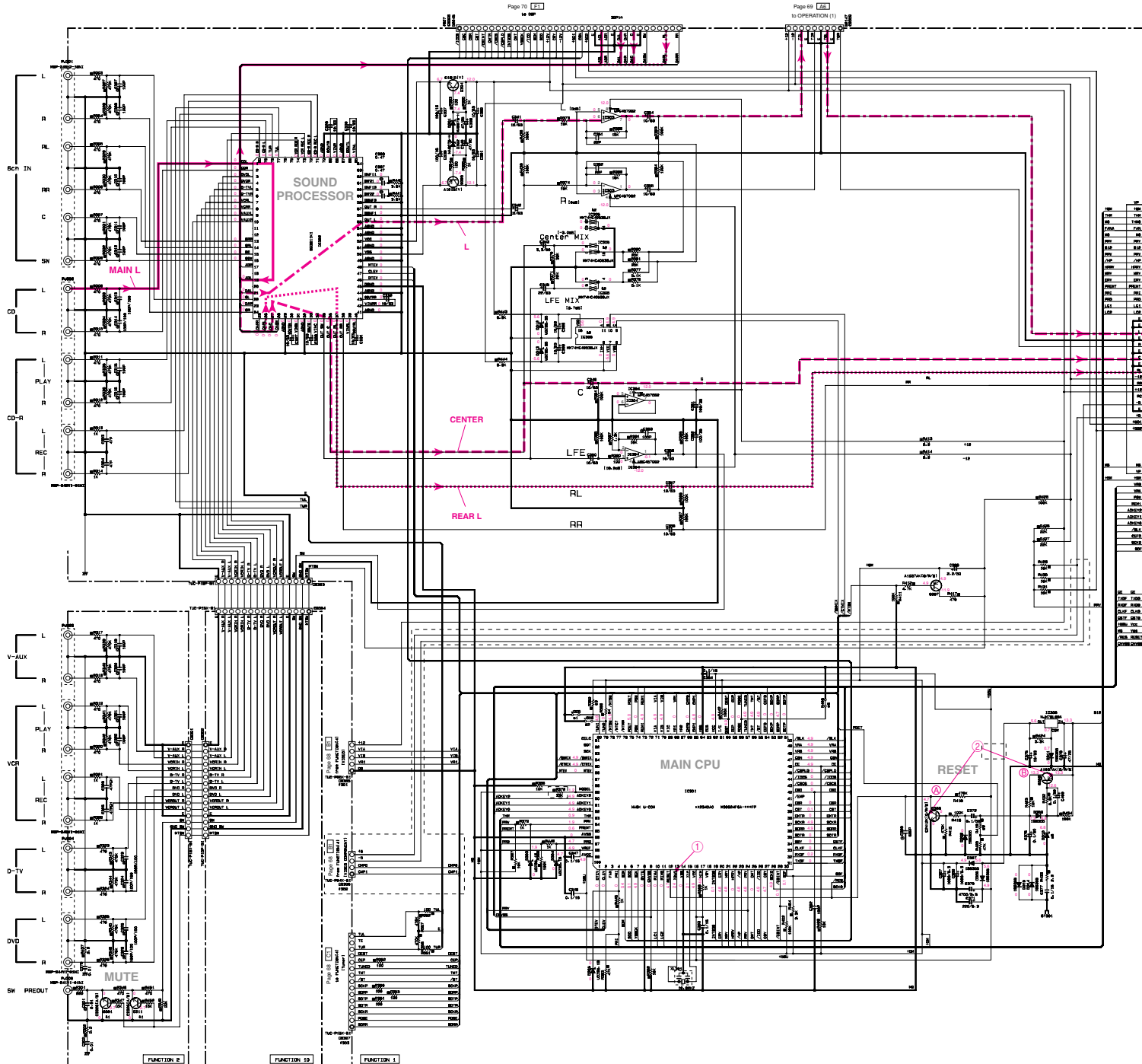


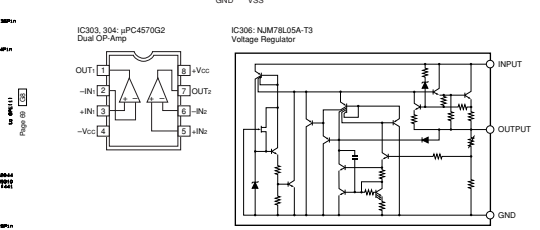
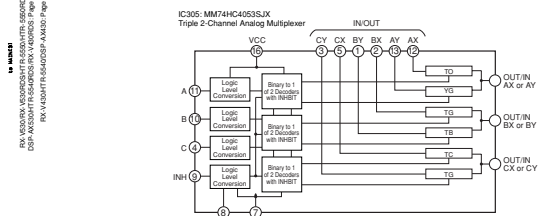
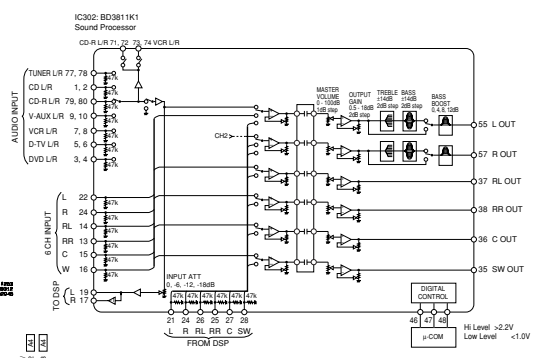
■ SCHEMATIC DIAGRAM (FUNCTION 1/2)

* All voltages are measured with a 10MΩ/V DC electric volt meter.
 * Components having special characteristics are marked with a triangle, and must be replaced with parts having specifications equal to those originally installed.
 * Schematic diagram is subject to change without notice.

● 電圧は、内部抵抗10MΩの電圧計で測定したものです。
 ● 印のある部品は、安全性確保部品を示しています。部品の交換が必要な場合、パーツリストに記載されている部品を使用してください。
 ● 本回路図は標準回路図です。改良のため予告なく変更することがございます。



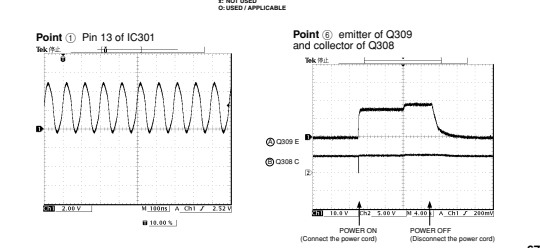
RX-V530/RX-V530RDS/HTR-5550/HTR-5550RDS/DSP-AX530
 RX-V430/RX-V430RDS/HTR-5540/HTR-5540RDS/DSP-AX430



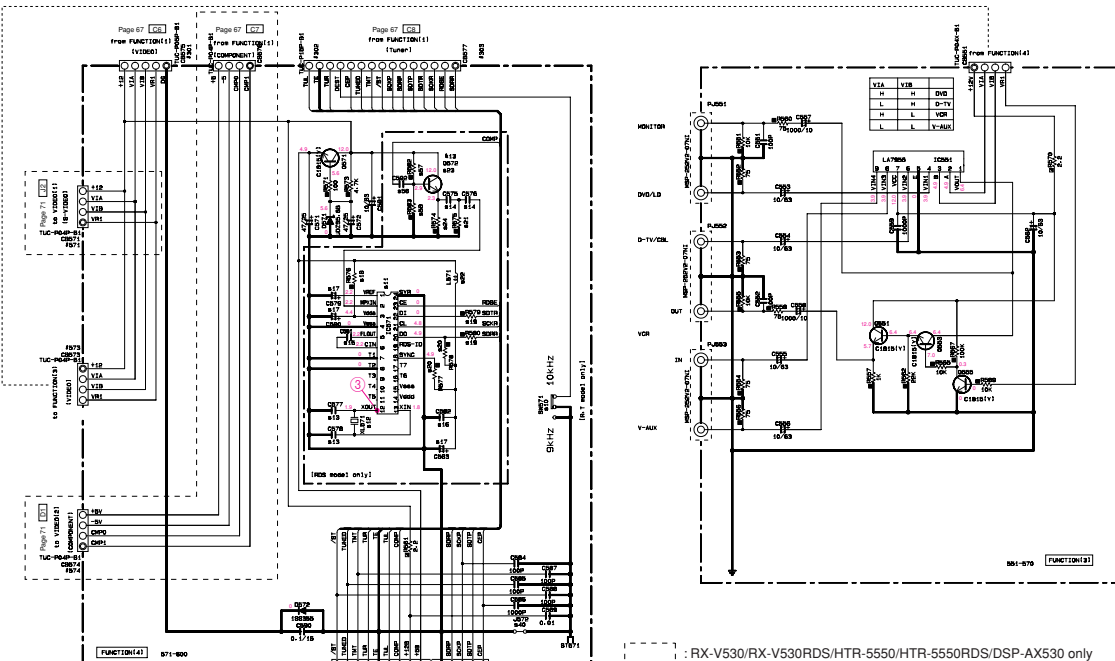
CAPACITOR		RESISTOR	
REMARKS	PARTS NAME	REMARKS	PARTS NAME
NO MARK	ELECTROLYTIC CAPACITOR	NO MARK	CARBON FILM RESISTOR (P-5)
⊖	TANTALUM CAPACITOR	⊖	CARBON FILM RESISTOR (P-10)
NO MARK	CERAMIC CAPACITOR	△	METAL OXIDE FILM RESISTOR
⊖	CERAMIC TUBULAR CAPACITOR	⊖	METAL FILM RESISTOR
⊖	POLYESTER FILM CAPACITOR	⊖	METAL PLATE RESISTOR
⊖	POLYPROPYLENE FILM CAPACITOR	⊖	FILM WOUND CARBON FILM RESISTOR
⊖	MYICA CAPACITOR	⊖	CURRENT HOLDING RESISTOR
⊖	POLYPROPYLENE FILM CAPACITOR	⊖	DRIFT VARIABLE RESISTOR
⊖	BIPOCONDUCTIVE CERAMIC CAPACITOR	⊖	DRIFT RESISTOR

NOTICE (model)
 (J) JAPAN
 (U) U.S.A.
 (C) CANADIAN
 (R) GENERAL
 (A) AUSTRALIAN
 (B) BRITISH
 (E) EUROPEAN
 (I) ITALIAN
 (L) SINGAPORE

Part No.	Part Name	QTY	Remarks
41	RES	1	RESISTOR
42	RES	1	RESISTOR
43	RES	1	RESISTOR
44	RES	1	RESISTOR
45	RES	1	RESISTOR
46	RES	1	RESISTOR
47	RES	1	RESISTOR
48	RES	1	RESISTOR
49	RES	1	RESISTOR
50	RES	1	RESISTOR



■ SCHEMATIC DIAGRAM (FUNCTION 2/2)



CAPACITOR

REMARKS	PARTS NAME
NO MARK	ELECTROLYTIC CAPACITOR
①	TANTALUM CAPACITOR
NO MARK	CERAMIC CAPACITOR
②	CERAMIC TUBULAR CAPACITOR
③	POLYESTER FILM CAPACITOR
④	POLYETHYLENE FILM CAPACITOR
⑤	MICA CAPACITOR
⑥	POLYPROPYLENE FILM CAPACITOR
⑦	SEMICONDUCTIVE CERAMIC CAPACITOR

RESISTOR

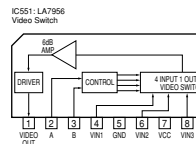
REMARKS	PARTS NAME
NO MARK	CARBON FILM RESISTOR (P=5)
①	CARBON FILM RESISTOR (P=10)
②	METAL OXIDE FILM RESISTOR
③	METAL FILM RESISTOR
④	METAL PLATE RESISTOR
⑤	FINE PITCH CARBON FILM RESISTOR
⑥	CEMENT MOLDED RESISTOR
⑦	SEMI-VARIABLE RESISTOR
⑧	CHIP RESISTOR

NOTICE (model)

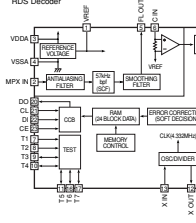
- (J)..... JAPANESE
- (U)..... U.S.A
- (C)..... CANADIAN
- (E)..... EUROPEAN
- (A)..... AUSTRALIAN
- (B)..... BRITISH
- (G)..... EUROPEAN
- (T)..... CHINA
- (L)..... SINGAPORE

Interchangeable Parts at Manufacture Stage

Mark	Reference Number	Parts Name
S11		
S12	R1001	80T-S-1134R 80101+10111 AL3021
S13	C870	99C1748(1/4/3) 99C840(1/4/1) 99C311(1/4/1/2)
S14		



IC57: LC7222 RDS Decoder



	J	U.C	R.T	A	B	G	L	K
S10	80071	X	X	VP0004B	X	X	X	X
S11	82871	X	X	X	X	X	X	X
S12	AL871	X	X	X	X	4.3004H	4.3004H	VP00000
S13	C377-878	X	X	X	X	2790H	2790H	V478110
S14	C378-878	X	X	X	X	LM8582B	LM8582B	X
S15	C081	X	X	X	X	800H	800H	LM00006
S16	C082	X	X	X	X	800H	800H	LM00006
S17	C378-563-563	X	X	X	X	0.1/16	0.1/16	LM00010
S18	R075	X	X	X	X	100	100	RC00010
S19	R075-800	X	X	X	X	470	470	RC00047
S20	R077-878	X	X	X	X	10K	10K	RC00010
S21	R075	X	X	X	X	20K	20K	RC00020
S22	L871	X	X	X	X	200uH	200uH	V480000
S23	0070	X	X	X	X	IC1740B	IC1740B	X
S24	R074	X	X	X	X	0.3K	0.3K	RC00003
S25	V001	0	0	X	0	0	0	0
S26	0000-304	X	X	0030H(L=K)	VP00000	X	X	X
S27	0000	X	X	004000H	VP00000	X	X	X
S28	0003	X	X	10000	X	X	X	X
S29	0003	X	X	10000	X	X	X	X
S30	0005	X	X	10000	X	X	X	X
S31	T821	X	X	X	X	X	X	X
S32	T821	X	X	X	X	X	X	X
S33	V000	X	X	X	X	X	X	X
S34	0000-003	X	X	X	X	VP00000	VP00000	X
S35	F801	X	X	X	X	TR-8A4000V	TR-8A4000V	TR-8A4000V
S36	F803	X	X	H-00014	X	X	X	X
S37	H841	X	X	H-04800	X	X	X	X
S38	V845	X	X	H-04800	X	X	X	X
S39	V845	X	X	H-04800	X	X	X	X
S40	V844	X	X	H-04800	X	X	X	X
S41	V846	X	X	H-04800	X	X	X	X
S42	H844	X	X	V718030	X	X	X	X
S43	00041-040	X	X	VP00000	X	X	X	X
S44	F841	X	X	TR-15A1200V	X	X	X	X
S45	F800	7A120V	7A120V	7A120V	7A120V	7A120V	7A120V	7A120V
S46	F800	1/200.0H	1/200.0H	1/200.0H	1/200.0H	1/200.0H	1/200.0H	1/200.0H
S48	0003	X	X	H-07111	X	X	X	X
S49	0003-000	X	X	10/30	X	X	X	X
S50	F800-004	X	X	100	X	X	X	X
S53	F802	X	X	80K	X	X	X	X
S54	0007	0-01	0-01	0-01	0-01	0-01	0-01	0-01
S55	0000-000	X	X	1000	X	X	X	X
S56	C080	X	X	X	X	100H	100H	LM00010
S57	F800	X	X	X	X	100K	100K	RC00010
S58	F800	X	X	X	X	10K	10K	RC00010
S59	H847	X	X	X	X	X	X	H-00007

X: NOT USED
 0: USED / APPLICABLE

* All voltages are measured with a 10MΩ/V DC electric volt meter.
 * Components having special characteristics are marked 1, and must be replaced with parts having specifications equal to those originally installed.
 * Schematic diagram is subject to change without notice.
 ● 電圧は、内部抵抗10MΩの電圧計で測定したものです。
 ● 1印のある部品は、安全性確保部品を示しています。部品の交換が必要な場合、パーツリストに記載されている部品を参照してください。
 ● 本回路図は標準回路図です。改良のため予告なく変更することがございます。

■ SCHEMATIC DIAGRAM (OPERATION)

REMARKS	PARTS NAME	
NO MARK	ELECTROLYTIC CAPACITOR	☐
⊗	TANTALUM CAPACITOR	☐
NO MARK	CERAMIC CAPACITOR	
⊙	CERAMIC TUBULAR CAPACITOR	
⊖	POLYESTER FILM CAPACITOR	
⊕	POLYSTYRENE FILM CAPACITOR	
Ⓜ	MICA CAPACITOR	
Ⓟ	POLYPROPYLENE FILM CAPACITOR	
Ⓢ	SEMICONDUCTIVE CERAMIC CAPACITOR	
Ⓣ	POLYPHENYLENE SULFIDE FILM CAPACITOR	

REMARKS	PARTS NAME	
NO MARK	CARBON FILM RESISTOR (P=5)	□
□	CARBON FILM RESISTOR (P=10)	□
△	METAL OXIDE FILM RESISTOR	
▲	METAL FILM RESISTOR	
⊠	METAL PLATE RESISTOR	
⊞	FIRE PROOF CARBON FILM RESISTOR	
Ⓜ	CEMENT MOLDED RESISTOR	
Ⓡ	SEMI VARIABLE RESISTOR	
■	CHIP RESISTOR	

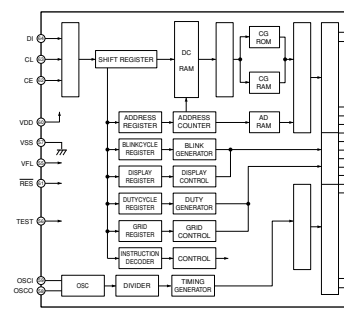
NOTICE (model)

- (J)..... JAPANESE
- (U)..... U. S. A
- (C)..... CANADIAN
- (R)..... GENERAL
- (A)..... AUSTRALIAN
- (B)..... BRITISH
- (G)..... EUROPEAN
- (T)..... CHINA
- (L)..... SINGAPORE

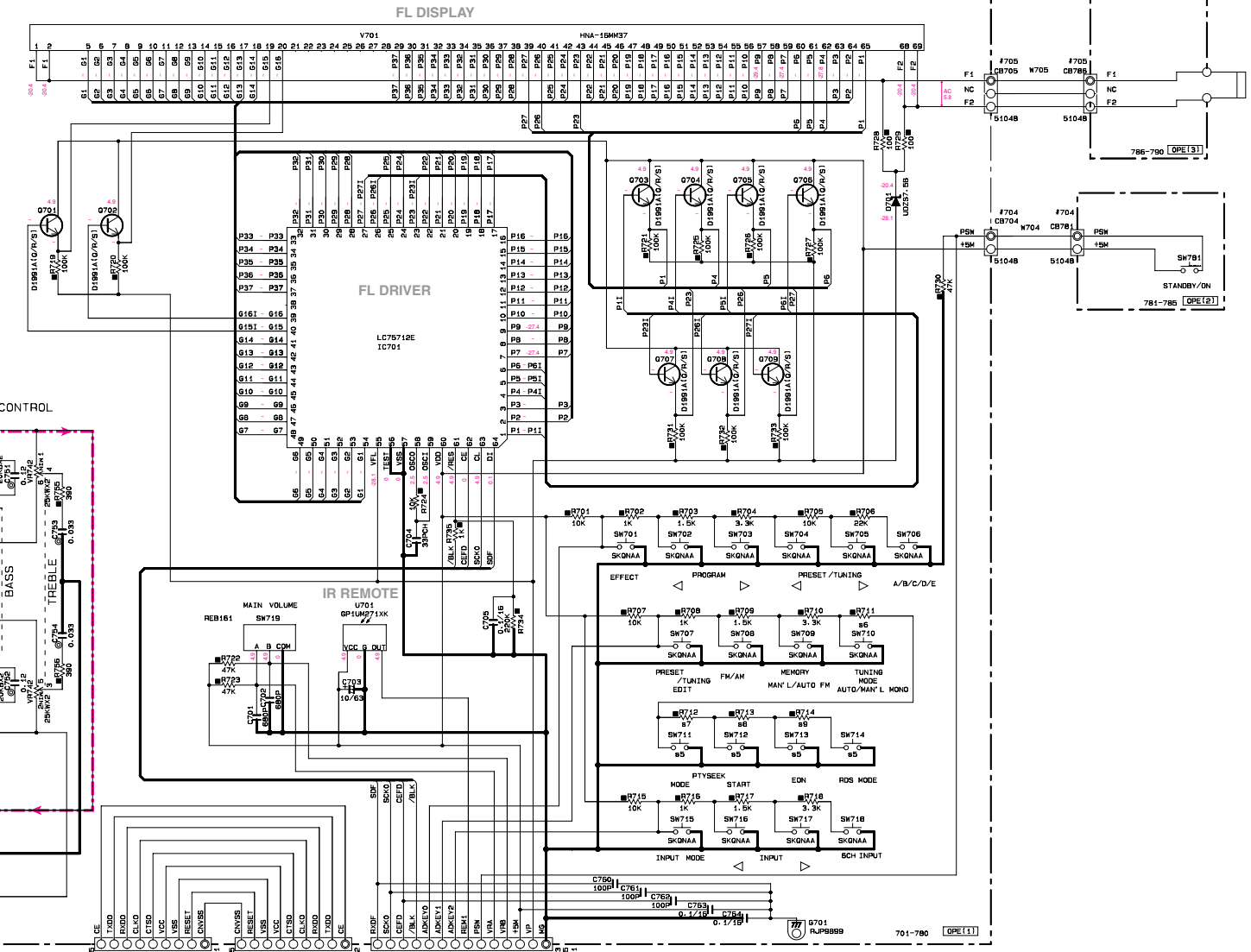
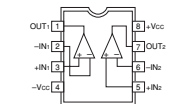
	J-U-C-R-T K-A-L	B-G
#5	SW711-714	×
#6	R711	×
#7	R712	×
#8	R713	×
#9	R714	×

- * All voltages are measured with a 10M Ω /V DC electric volt meter.
 - * Components having special characteristics are marked $\text{\textcircled{1}}$, and must be replaced with parts having specifications equal to those originally installed.
 - * Schematic diagram is subject to change without notice.
- 電圧は、内部抵抗10M Ω の電圧計で測定したものです。
● $\text{\textcircled{1}}$ 印のある部品は、安全性確保部品を示しています。部品の交換が必要な場合、パーツリストに記載されている部品を使用してください。
● 本回路図は標準回路図です。改良のため予告なく変更することがございます。

IC701: LC75710E FLD
FL Display Driver



IC741: 74C4570G2
Dual Op-Amp



Page 57 [LT] to FUNCTION (1)

Flash U-con Write Connector Page 67 [S]

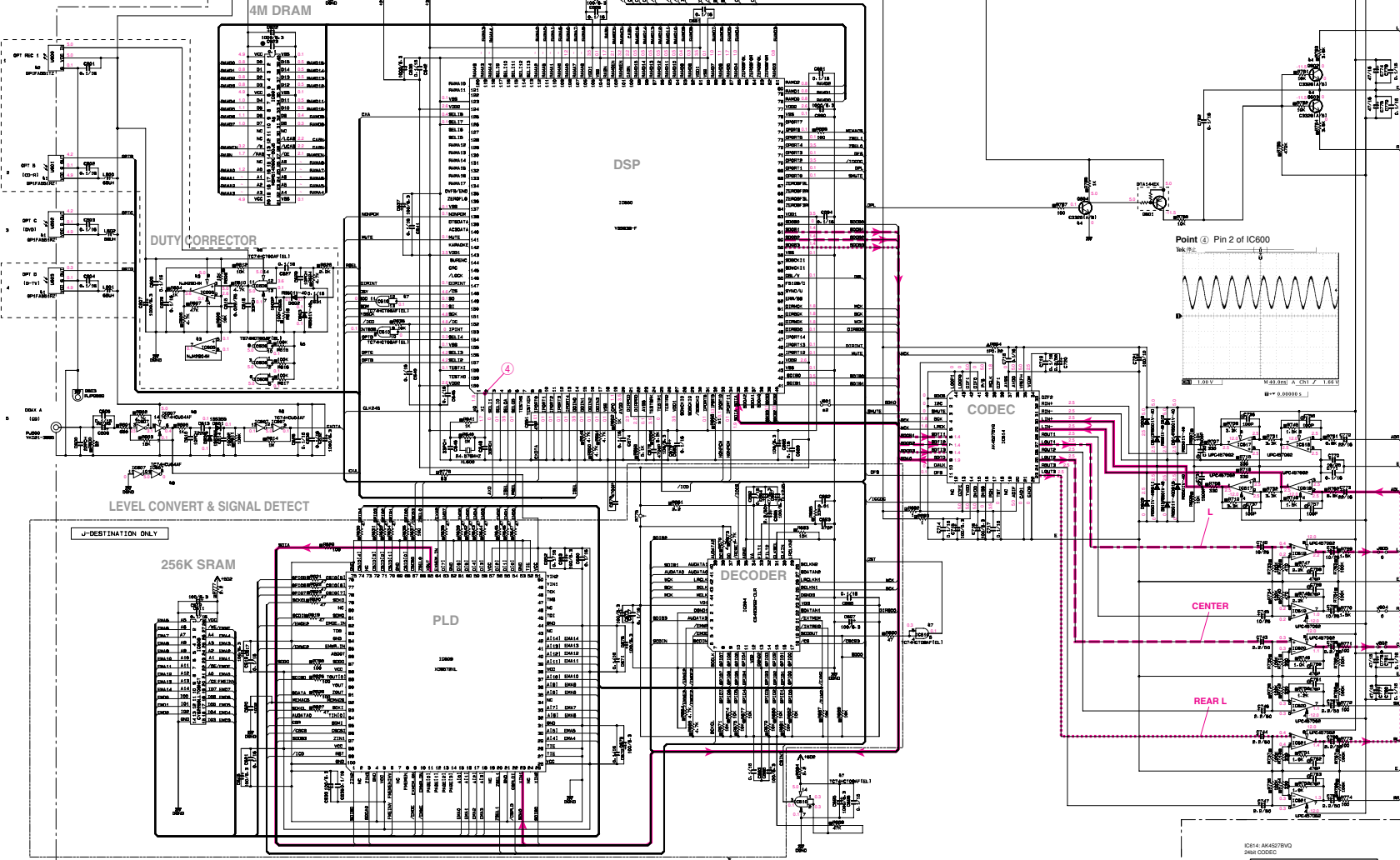
Page 67 [S]

701-790 [OPE11]

SCHEMATIC DIAGRAM (DSP)

REMARKS	PARTS NAME
NO MARK	CARBON FILM RESISTOR (P-6)
□	CARBON FILM RESISTOR (P-10)
△	METAL OXIDE FILM RESISTOR
○	METAL FILM RESISTOR
◇	METAL PLATE RESISTOR
▽	THICK PROOF CARBON FILM RESISTOR
◇	CONDUCTIVE NON-IND. RESISTOR
◇	SEMI-VARIABLE RESISTOR
◇	CHIP RESISTOR

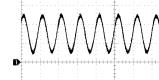
REMARKS	PARTS NAME
NO MARK	ELECTROLYTIC CAPACITOR
□	ALUMINUM ELECTROLYTIC CAPACITOR
○	TANTALUM CAPACITOR
○	CERAMIC CAPACITOR
○	CERAMIC TUBULAR CAPACITOR
○	POLYESTER FILM CAPACITOR
○	POLYETHYLENE FILM CAPACITOR
○	POLYPROPYLENE FILM CAPACITOR
○	POLYBUTYLENE FILM CAPACITOR
○	POLYETHYLENE SULFIDE FILM CAPACITOR



NOTICE (model)
 J model only (DSP-AX530/DSP-AX430)

Interchangeable Parts at Manufacture Stage

Part No.	Part Name	Manufacturer	Part No.	Part Name	Manufacturer
IC601	MEM14260C-64J5	48M DRAM	IC602	PO05E2M2P	Regulator
IC603	PC65M5T E1	Voltage Regulator	IC604	CS4352G CLR	Audio Decoder
IC605	NM305M	Dual OP-Amp	IC606	TC74HC256F	Quad 2-Input NAND Gate
IC607	TC74VC04AF	Hex Inverters	IC608	CV6225ELL	Static RAM
IC609	XC6272XL-10T0100C	CPLD	IC610	TC74HC76M	Quad 2-Input And Gate

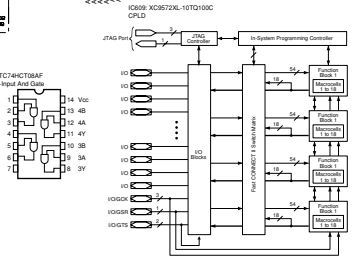
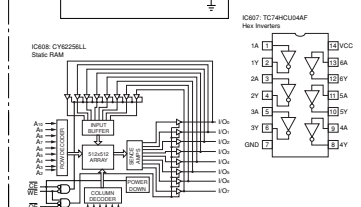
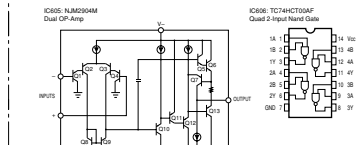
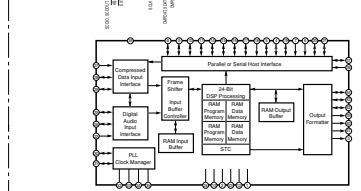
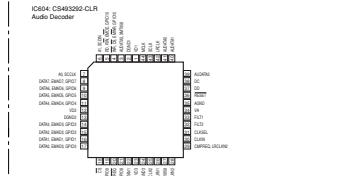
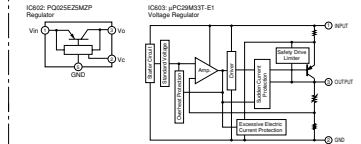
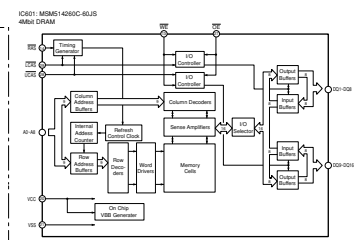


: RX-V530/RX-V530RDS/HTR-5550/HTR-5550RDS/DSP-AX530 only

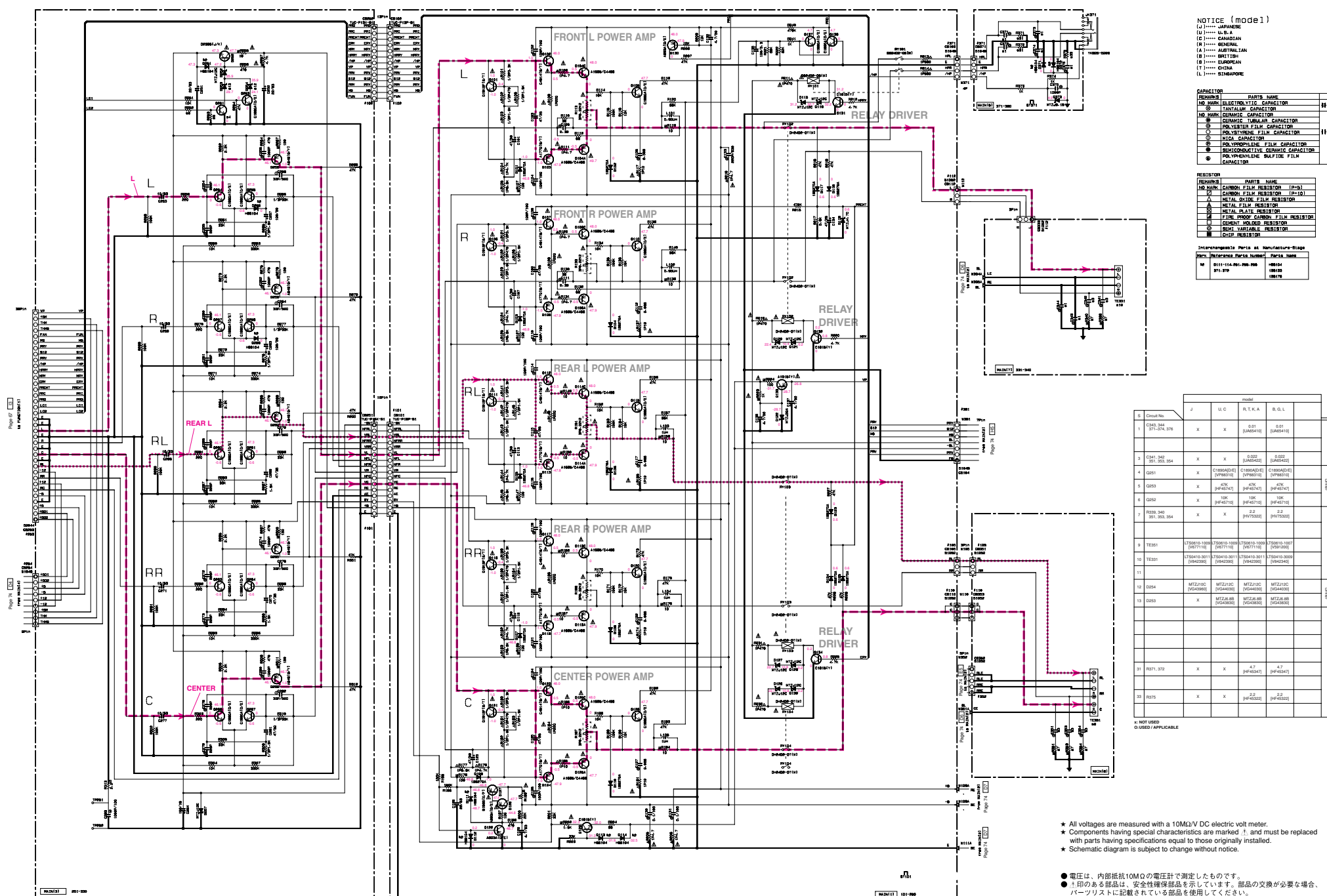
J model only (DSP-AX530/DSP-AX430)

- * All voltages are measured with a 10MΩ/V DC electric volt meter.
- * Components having special characteristics are marked * and must be replaced with parts having specifications equal to those originally installed.
- * Schematic diagram is subject to change without notice.

- 電圧は、内部抵抗10MΩの電圧計で測定したものです。
- *印のある部品は、安全性確保部品を示しています。部品の交換が必要な場合、パーツリストに記載されている部品を使用してください。
- 本回路図は標準回路図です。改良のため予告なく変更することがございます。



■ SCHEMATIC DIAGRAM (MAIN 1/2) RX-V530/RX-V530RDS/HTR-5550/HTR-5550RDS/DSP-AX530/RX-V430RDS/HTR-5540RDS only



NOTICE (model)
 (J)..... JAPANESE
 (U)..... U.S.A.
 (C)..... CANADIAN
 (R)..... GENERAL
 (A)..... AUSTRALIAN
 (E)..... BRITISH
 (G)..... GERMAN
 (T)..... CHINA
 (L)..... SINGAPORE

CAPACITOR

REMARKS	PARTS NAME	UNIT
NO MARK	ELECTROLYTIC CAPACITOR	μF
◎	TANTALUM CAPACITOR	μF
○	CEMICAP CERAMIC CAPACITOR	μF
○	NON-VARIABLE FILM CAPACITOR	μF
○	POLYESTER FILM CAPACITOR	μF
○	MICA CAPACITOR	μF
○	POLYPROPYLENE FILM CAPACITOR	μF
○	BIPOLELECTRIVE CERAMIC CAPACITOR	μF
○	POLYPROPYLENE SULFIDE FILM CAPACITOR	μF

RESISTOR

REMARKS	PARTS NAME	UNIT
NO MARK	CARBON FILM RESISTOR (P-W)	Ω
○	CARBON FILM RESISTOR (P-10)	Ω
△	METAL FILM RESISTOR	Ω
□	METAL PLATE RESISTOR	Ω
○	FILM THICK CARBON FILM RESISTOR	Ω
○	CEMENT MOUNTED RESISTOR	Ω
■	CHIP RESISTOR	Ω

Interchangeable Parts at Manufacture Stage

Part No.	Reference Part No.	Part No.	Part No.
M	D111-114-001-000-000	4864A	4864A
	071-070	18010	18010

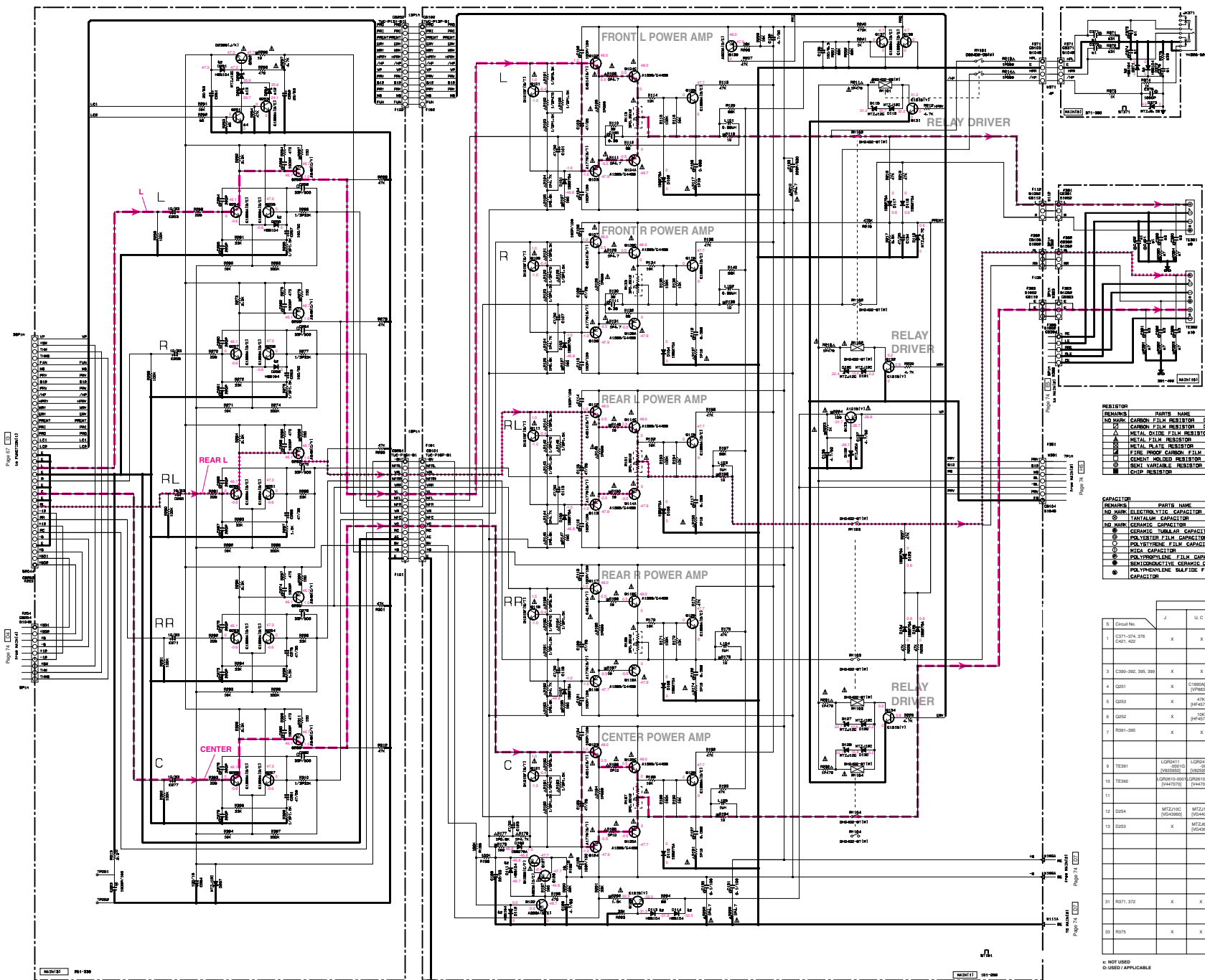
Row	Cl. No.	J	U.C.	R.T.K.A.	E.G.L.	UNIT
2	C245 344 271-374-376	X	X	0.01 (J465410)	0.01 (J465410)	
3	C241 342 351 353 354	X	X	0.002 (J465420)	0.002 (J465420)	
4	C201	X		0.000010 (F968310)	0.000010 (F968310)	
5	D253	X	X	47K (F45710)	47K (F45710)	
6	D252	X	X	10K (F45710)	10K (F45710)	
7	D235 340 351 353 354	X	X	2.2 (F47320)	2.2 (F47320)	
9	TE31			170010-1000 (W77110)	170010-1000 (W77110)	
10	TE31			170410-3011 (F46200)	170410-3011 (F46200)	
11						
12	D204	X	X	MF21100 (G44500)	MF21100 (G44500)	
13	D203	X	X	MF21000 (G44500)	MF21000 (G44500)	
31	R211 372	X	X	4.7 (F45247)	4.7 (F45247)	
33	R210	X	X	2.2 (F45202)	2.2 (F45202)	

○ NOT USED
 □ CIRCLED / APPLICABLE

- ★ All voltages are measured with a 10MΩ/V DC electric volt meter.
 - ★ Components having special characteristics are marked ! and must be replaced with parts having specifications equal to those originally installed.
 - ★ Schematic diagram is subject to change without notice.
- 電圧は、内部抵抗10MΩの電圧計で測定したものです。
 ● !印のある部品は、安全性確保部品を示しています。部品の交換が必要な場合、パーツリストに記載されている部品を使用してください。
 ● 本回路図は標準回路図です。改良のため予告なく変更することがございます。

■ SCHEMATIC DIAGRAM (MAIN 1/2) RX-V530/HTR-5540/DSP-AX430 only

RX-V530/RX-V530RDS/HTR-5550/HTR-5550RDS/DSP-AX530
RX-V430/RX-V430RDS/HTR-5540/HTR-5540RDS/DSP-AX430



RESISTOR

RESISOR	PARTS NAME	MANUFACTURE NUMBER	RESISOR VALUE
NO MARK	CARBON FILM RESISTOR (F-D)		
□	CARBON FILM RESISTOR (F-D)		
△	METAL OXIDE FILM RESISTOR		
○	METAL FILM RESISTOR		
■	METAL PLATE RESISTOR		
◇	FINE PITCH CARBON FILM RESISTOR		
◇	CONDUIT HOLED RESISTOR		
◇	SEMI VARIABLE RESISTOR		
◇	CHIP RESISTOR		

CAPACITOR

RESISOR	PARTS NAME	MANUFACTURE NUMBER	RESISOR VALUE
NO MARK	ELECTROLYTIC CAPACITOR		
○	TANTALUM CAPACITOR		
○	CERAMIC CAPACITOR		
○	GENERAL PURPOSE CAPACITOR		
○	POLYESTER FILM CAPACITOR		
○	POLYPROPYLENE FILM CAPACITOR		
○	SOIL CAPACITOR		
○	POLYPROPYLENE FILM CAPACITOR		
○	NONINDUCTIVE CERAMIC CAPACITOR		
○	POLYPROPYLENE SULFIDE FILM CAPACITOR		

NOTICE (model)

J JAPANESE
 U U.S.A.
 C CANADIAN
 R GENERAL
 A AUSTRALIAN
 B BRITISH
 E EUROPEAN
 T CHINA
 L SINGAPORE

Chart No.	J	U.C.	R.T.K.A.	L
1 C271-274, 376 C281-322	X	X	0.01 [JMS410]	0.01 [JMS410]
2 C390-392, 395, 399	X	X	0.02 [JMS420]	0.02 [JMS420]
4 G251	X		C180A(4E) [YF8570]	C180A(4E) [YF8570]
5 G255	X		47K [YF45747]	47K [YF45747]
6 G252	X		10K [YF45710]	10K [YF45710]
7 R311-315	X	X	2.2 [YF7522]	2.2 [YF7522]
9 TE301	LCR2411 [Y447011]	LCR2411 [Y447011]	LCR2411 [Y447011]	LCR2411 [Y447011]
10 TE302	LCR2511-0000 [Y447011]	LCR2511-0000 [Y447011]	LCR2511-0000 [Y447011]	LCR2511-0000 [Y447011]
11				
12 D254	MTZ12C [Y434300]	MTZ12C [Y434300]	MTZ12C [Y434300]	MTZ12C [Y434300]
13 D253	X		MTZ16.8B [Y434300]	MTZ16.8B [Y434300]
31 R371, 372	X	X	4.7 [YF4547]	4.7 [YF4547]
33 R375	X	X	2.2 [YF4522]	2.2 [YF4522]

○: NOT USED
X: USED / APPLICABLE

* All voltages are measured with a 10MΩV DC electric volt meter.
 * Components having special characteristics are marked with a triangle and must be replaced with parts having specifications equal to those originally installed.
 * Schematic diagram is subject to change without notice.

● 電圧は、内部抵抗10MΩの電圧計で測定したものです。
 ● 印のある部品は、安全性確保部品を示しています。部品の交換が必要な場合、パーツリストに記載されている部品を使用してください。
 ● 本回路図は標準回路図です。改良のため予告なく変更することがございます。

■ SCHEMATIC DIAGRAM / (MAIN 2/2)

RESISTOR

REMARKS	PARTS NAME
NO MARK	CARBON FILM RESISTOR (P=5)
☒	CARBON FILM RESISTOR (P=10)
△	METAL OXIDE FILM RESISTOR
⊠	METAL FILM RESISTOR
⊡	METAL PLATE RESISTOR
▨	FIRE PROOF CARBON FILM RESISTOR
□	CEMENT MOLDED RESISTOR
⊕	SEMI VARIABLE RESISTOR
■	CHIP RESISTOR

CAPACITOR

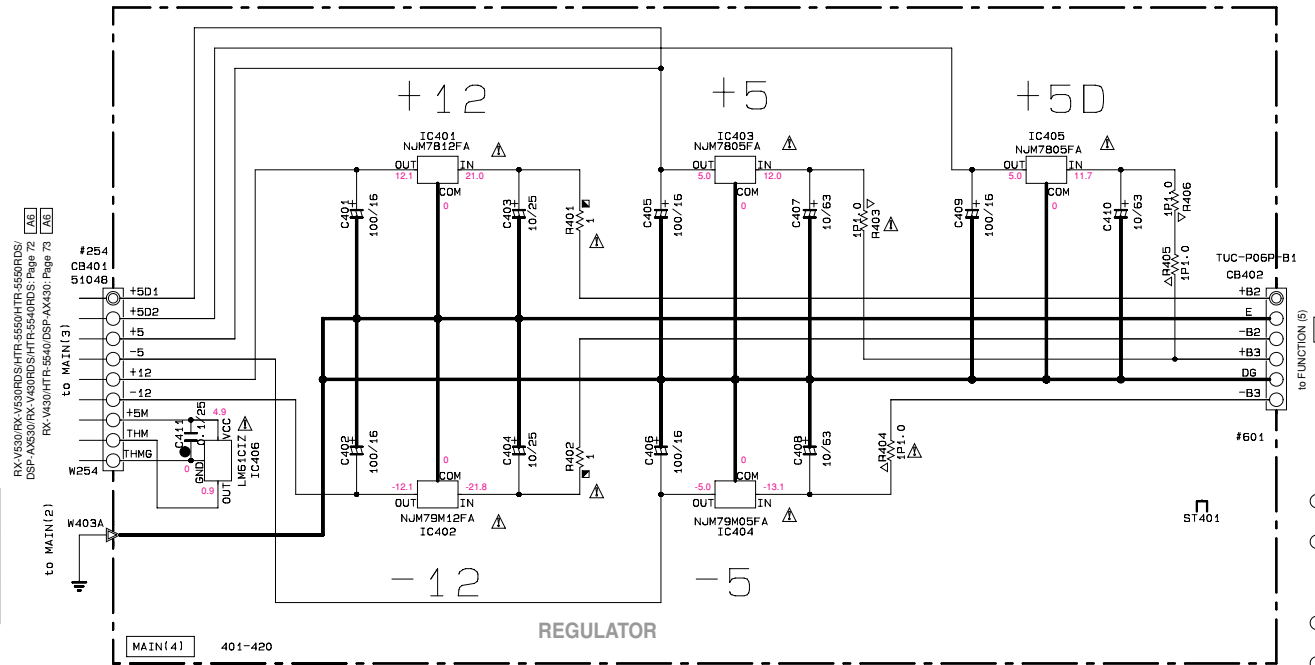
REMARKS	PARTS NAME
NO MARK	ELECTROLYTIC CAPACITOR
⊗	TANTALUM CAPACITOR
NO MARK	CERAMIC CAPACITOR
●	CERAMIC TUBULAR CAPACITOR
⊙	POLYESTER FILM CAPACITOR
○	POLYSTYRENE FILM CAPACITOR
⊖	MICA CAPACITOR
⊕	POLYPROPYLENE FILM CAPACITOR
⊗	SEMICONDUCTIVE CERAMIC CAPACITOR

NOTICE (model)

- (J)..... JAPANESE
- (U)..... U. S. A
- (C)..... CANADIAN
- (R)..... GENERAL
- (A)..... AUSTRALIAN
- (B)..... BRITISH
- (G)..... EUROPEAN
- (T)..... CHINA
- (L)..... SINGAPORE

6	Circuit No.	J	U. C. R. T. K
21	J3B1, 3B2	D	X
22	SW3B1	X	SL13B-022AMCS [V410420]

x: NOT USED
 o: USED/APPLICABLE



RX-V530/RX-V530RDS/HTR-5550/HTR-5550RDS/
 DSP-AX530/RX-V430RDS/HTR-5540RDS: Page 72
 RX-V430/HTR-5540/DSP-AX430: Page 73

RX-V530/RX-V530RDS/HTR-5550/HTR-5550RDS/
 DSP-AX530/RX-V430RDS/HTR-5540RDS: Page 72
 RX-V430/HTR-5540/DSP-AX430: Page 73

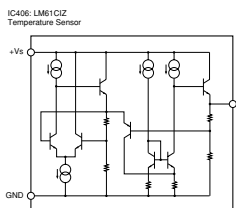
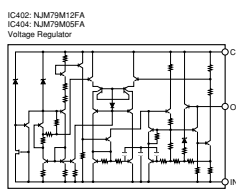
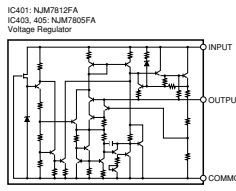
RX-V530/RX-V530RDS/HTR-5550/HTR-5550RDS/
 DSP-AX530/RX-V430RDS/HTR-5540RDS only: Page 72

RX-V530/RX-V530RDS/HTR-5550/HTR-5550RDS/
 DSP-AX530/RX-V430RDS/HTR-5540RDS: Page 72
 RX-V430/HTR-5540/DSP-AX430: Page 73

RX-V530/RX-V530RDS/HTR-5550/HTR-5550RDS/
 DSP-AX530/RX-V430RDS/HTR-5540RDS: Page 72
 RX-V430/HTR-5540/DSP-AX430: Page 73

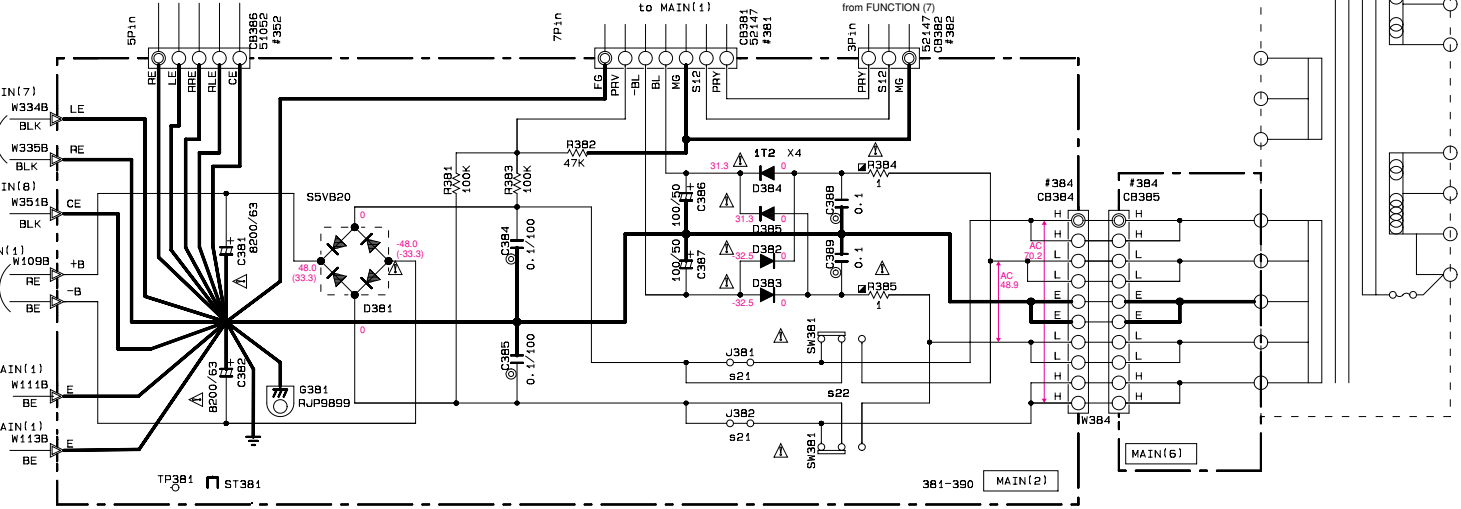
RX-V530/RX-V530RDS/HTR-5550/HTR-5550RDS/
 DSP-AX530/RX-V430RDS/HTR-5540RDS: Page 72
 RX-V430/HTR-5540/DSP-AX430: Page 73

RX-V530/RX-V530RDS/HTR-5550/HTR-5550RDS/
 DSP-AX530/RX-V430RDS/HTR-5540RDS: Page 72
 RX-V430/HTR-5540/DSP-AX430: Page 73



RX-V530/RX-V530RDS/HTR-5550/HTR-5550RDS/
 DSP-AX530/RX-V430RDS/HTR-5540RDS: Page 72 to MAIN (8)
 RX-V430/HTR-5540/DSP-AX430: Page 73 to MAIN (10)

RX-V530/RX-V530RDS/HTR-5550/HTR-5550RDS/
 DSP-AX530/RX-V430RDS/HTR-5540RDS: Page 72
 RX-V430/HTR-5540/DSP-AX430: Page 73



RX-V530/RX-V530RDS/HTR-5550/HTR-5550RDS/
 DSP-AX530/RX-V430RDS/HTR-5540RDS only: Page 72

RX-V530/RX-V530RDS/HTR-5550/HTR-5550RDS/
 DSP-AX530/RX-V430RDS/HTR-5540RDS: Page 72
 RX-V430/HTR-5540/DSP-AX430: Page 73

RX-V530/RX-V530RDS/HTR-5550/HTR-5550RDS/
 DSP-AX530/RX-V430RDS/HTR-5540RDS: Page 72
 RX-V430/HTR-5540/DSP-AX430: Page 73

RX-V530/RX-V530RDS/HTR-5550/HTR-5550RDS/
 DSP-AX530/RX-V430RDS/HTR-5540RDS: Page 72
 RX-V430/HTR-5540/DSP-AX430: Page 73

★ All voltages are measured with a 10MΩ/V DC electric volt meter.
 ★ Components having special characteristics are marked △, and must be replaced with parts having specifications equal to those originally installed.
 ★ Schematic diagram is subject to change without notice.

● 電圧は、内部抵抗10MΩの電圧計で測定したものです。
 ● △印のある部品は、安全性確保部品を示しています。部品の交換が必要な場合、パーツリストに記載されている部品を使用してください。
 ● 本回路図は標準回路図です。改良のため予告なく変更することがございます。

to FUNCTION (5)
 Page 68 [A8]

#601

to MAIN(2)

to MAIN(3)

to MAIN(4)

to MAIN(5)

to MAIN(6)

to MAIN(7)

to MAIN(8)

to MAIN(9)

to MAIN(10)

to MAIN(11)

to MAIN(12)

to MAIN(13)

to MAIN(14)

to MAIN(15)

to MAIN(16)

to MAIN(17)

to MAIN(18)

to MAIN(19)

to MAIN(20)

to MAIN(21)

to MAIN(22)

to MAIN(23)

to MAIN(24)

to MAIN(25)

to MAIN(26)

to MAIN(27)

to MAIN(28)

to MAIN(29)

to MAIN(30)

to MAIN(31)

to MAIN(32)

to MAIN(33)

to MAIN(34)

to MAIN(35)

to MAIN(36)

to MAIN(37)

to MAIN(38)

to MAIN(39)

to MAIN(40)

to MAIN(41)

to MAIN(42)

to MAIN(43)

to MAIN(44)

to MAIN(45)

to MAIN(46)

to MAIN(47)

to MAIN(48)

to MAIN(49)

to MAIN(50)

to MAIN(51)

to MAIN(52)

to MAIN(53)

to MAIN(54)

to MAIN(55)

to MAIN(56)

to MAIN(57)

to MAIN(58)

to MAIN(59)

to MAIN(60)

to MAIN(61)

to MAIN(62)

to MAIN(63)

to MAIN(64)

to MAIN(65)

to MAIN(66)

to MAIN(67)

to MAIN(68)

to MAIN(69)

to MAIN(70)

to MAIN(71)

to MAIN(72)

to MAIN(73)

to MAIN(74)

to MAIN(75)

to MAIN(76)

to MAIN(77)

to MAIN(78)

to MAIN(79)

to MAIN(80)

to MAIN(81)

to MAIN(82)

to MAIN(83)

to MAIN(84)

to MAIN(85)

to MAIN(86)

to MAIN(87)

to MAIN(88)

to MAIN(89)

to MAIN(90)

to MAIN(91)

to MAIN(92)

to MAIN(93)

to MAIN(94)

to MAIN(95)

to MAIN(96)

to MAIN(97)

to MAIN(98)

to MAIN(99)

to MAIN(100)

to MAIN(101)

to MAIN(102)

to MAIN(103)

to MAIN(104)

to MAIN(105)

to MAIN(106)

to MAIN(107)

to MAIN(108)

to MAIN(109)

to MAIN(110)

to MAIN(111)

to MAIN(112)

to MAIN(113)

to MAIN(114)

to MAIN(115)

to MAIN(116)

to MAIN(117)

to MAIN(118)

to MAIN(119)

to MAIN(120)

to MAIN(121)

to MAIN(122)

to MAIN(123)

to MAIN(124)

to MAIN(125)

to MAIN(126)

to MAIN(127)

to MAIN(128)

to MAIN(129)

to MAIN(130)

to MAIN(131)

to MAIN(132)

to MAIN(133)

to MAIN(134)

to MAIN(135)

to MAIN(136)

to MAIN(137)

to MAIN(138)

to MAIN(139)

to MAIN(140)

to MAIN(141)

to MAIN(142)

to MAIN(143)

to MAIN(144)

to MAIN(145)

to MAIN(146)

to MAIN(147)

to MAIN(148)

to MAIN(149)

to MAIN(150)

to MAIN(151)

to MAIN(152)

to MAIN(153)

to MAIN(154)

to MAIN(155)

to MAIN(156)

to MAIN(157)

to MAIN(158)

to MAIN(159)

to MAIN(160)

to MAIN(161)

to MAIN(162)

to MAIN(163)

to MAIN(164)

to MAIN(165)

to MAIN(166)

to MAIN(167)

to MAIN(168)

to MAIN(169)

to MAIN(170)

to MAIN(171)

to MAIN(172)

to MAIN(173)

to MAIN(174)

to MAIN(175)

to MAIN(176)

to MAIN(177)

to MAIN(178)

to MAIN(179)

to MAIN(180)

to MAIN(181)

to MAIN(182)

to MAIN(183)

to MAIN(184)

to MAIN(185)

to MAIN(186)

to MAIN(187)

to MAIN(188)

to MAIN(189)

to MAIN(190)

to MAIN(191)

to MAIN(192)

to MAIN(193)

to MAIN(194)